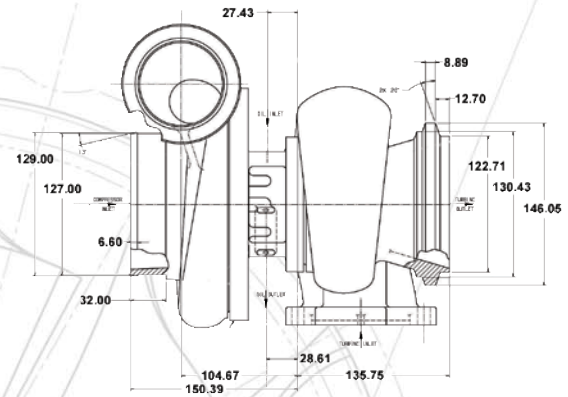


2000	DISPLACEMENT 2.0L - 7.0L
1900	
1800	
1700	
1600	
1500	
1400	
1300	
1200	
1100	
1000	
900	
800	
700	
600	
500	
400	
300	
200	
100	
0	

HORSEPOWER 425 - 850

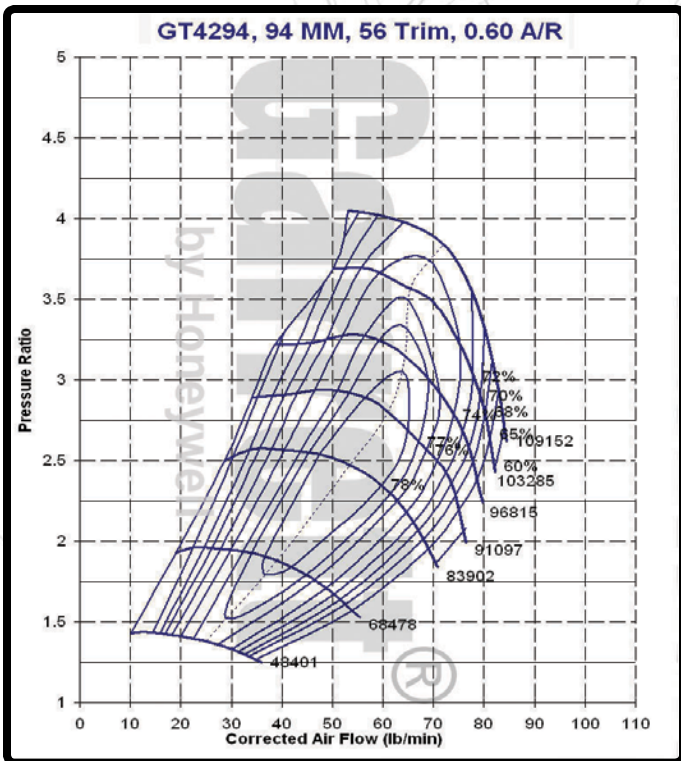


- Journal bearing, oil-cooled CHRA
- Free float, non-wastegated turbine housing
- Optional turbine housings with T4 or diesel turbine inlet flange
- Ported shroud compressor housing to increase surge resistance



GT4294		COMPRESSOR				TURBINE		
Turbo PN	CHRA PN	Ind Whl Dia	Exd Whl Dia	Trim	A/R	Whl Dia	Trim	A/R
731376-1	712402-7	70.3mm	94.0mm	56	0.60	82.0mm	84	1.15

TURBINE HOUSING OPTIONS	
PN	A/R
757707-1*	1.01
757707-2*	1.15
757707-3*	1.28
757707-4*	1.44
757707-10 ⁺	1.01
757707-9 ⁺	1.15



*Note: inlet flange: Page - 84 Diagram - 03
⁺Note: inlet flange: Page - 84 Diagram - 05

