



PERFORMANCE ELECTRONICS

Instruction Manual

P/N 30-3250 EPM PUCK

WARNING:



This installation is not for the electronic novice or the PC illiterate! Use this system with **EXTREME** caution! If you are not well versed in electronics and vehicle instrumentation or are not PC literate, please do not attempt the installation. Refer the installation to an AEM trained tuning shop. A list of AEM trained tuning shops is available at http://www.aemelectronics.com/dealer_locator.php or by calling 800-423-0046. You should also visit the AEM Tech Forum at <http://www.aemelectronics.com>

NOTE: AEM holds no responsibility for any engine damage that results from the misuse of this product!

AEM Performance Electronics

2205 126th Street Unit A, Hawthorne, CA. 90250

Phone: (310) 484-2322 Fax: (310) 484-0152

<http://www.aemelectronics.com>

Instruction Part Number: 10-3250 Rev A

© 2012 AEM Performance Electronics

This product is Legal in California for racing vehicles only and should never be used on public highways.

KIT CONTENTS

- 1 x 35-3250 EPM ASSEMBLY
- 1 x 10-9910 DECAL, EPM MODULE
- 1 x 10-3250 INSTRUCTION MANUAL
- 1 x 10-922S SILVER AEM DECAL

INSTALLATION TIPS

1. Read through the entire manual and instructions before beginning the installation.
2. Disconnect the negative battery cable(s) before beginning any work.
3. Maintain a clean and neat work area through out the installation.
4. When raising or working under a vehicle, use properly rated stands/jacks.
5. Make sure all connectors are fully seated and inserted.
6. Make sure all components and cables are routed and installed away from any direct heat sources or sharp objects.

TABLE OF CONTENTS

• Overview	2
• EPM Wiring – Connector Pinout	3
• Mounting/Dimensions	3
○ Bottom Overview	3
○ Mounting Adapter Dimensions	4
○ Drive Detail & Dimensions	5
• Specifications	6
• Warranty	6

OVERVIEW

AEM ENGINE POSITION MODULE (EPM)

The universal AEM Engine Position Sensor (EPM) Puck is an adaptable unit that allows the use of a coil on plug or wasted spark ignition system and can be used with any aftermarket engine management system that recognizes the common 24 – 1 input for crank and cam signal. The EPM provides precise engine position using dual zero speed optical sensors. This offers the advantage of immediate signal generation when the engine is cranked.

EPM WIRING - CONNECTOR PINOUT

1. The EPM has a short cable with a 4 Pin Deutsch connector, supplied with the EPM is the mating connector housing with 5 crimp terminals. The connector pinouts are shown in figure 1.
2. The EPM outputs a 12V square wave, 24 crank signals and 1 short pulse cam signal every 360 degrees.

Pin	Description	Wire Color
1	CRANK	Yellow
2	GROUND	Black
3	CAM	White
4	12V Switched Powered During Cranking	Red

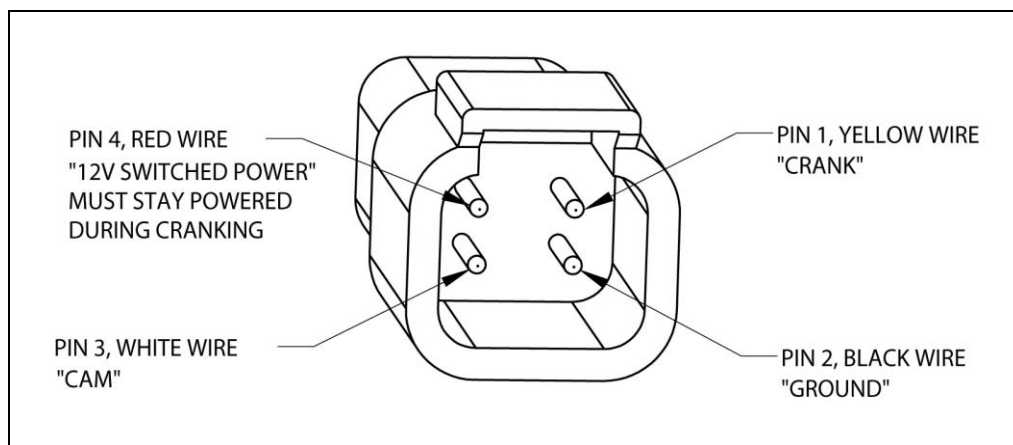


Figure 1. 4 Pin EPM Deutsch Connector, Wire Entry View

MOUNTING/DIMENSIONS

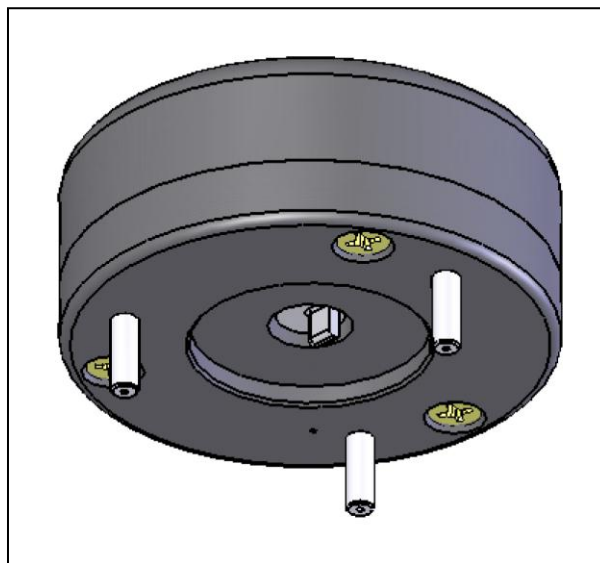
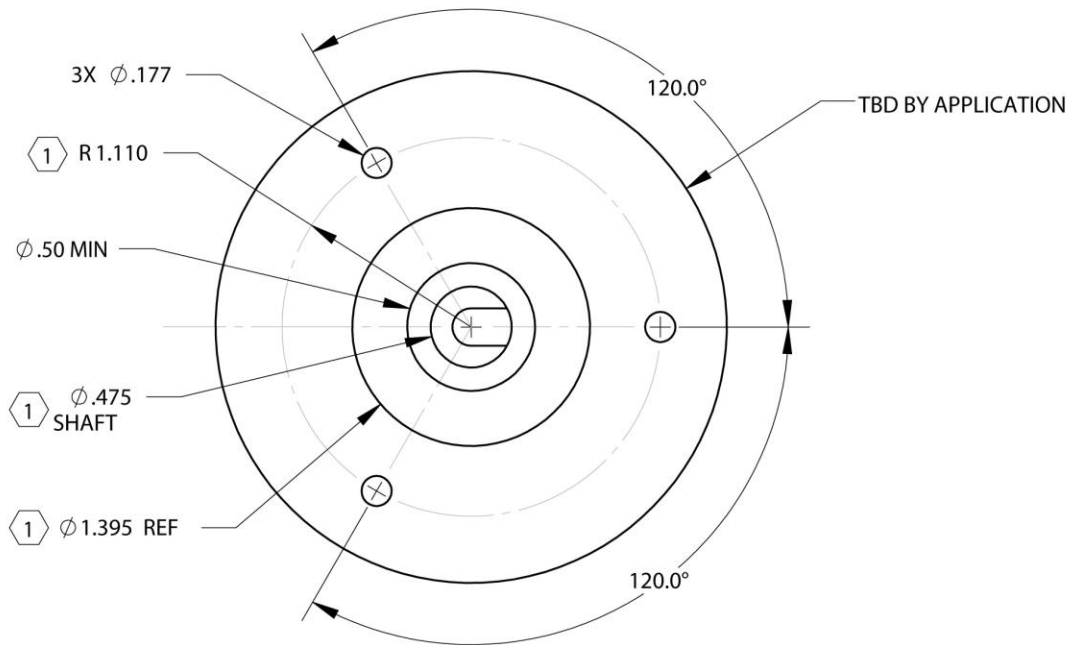
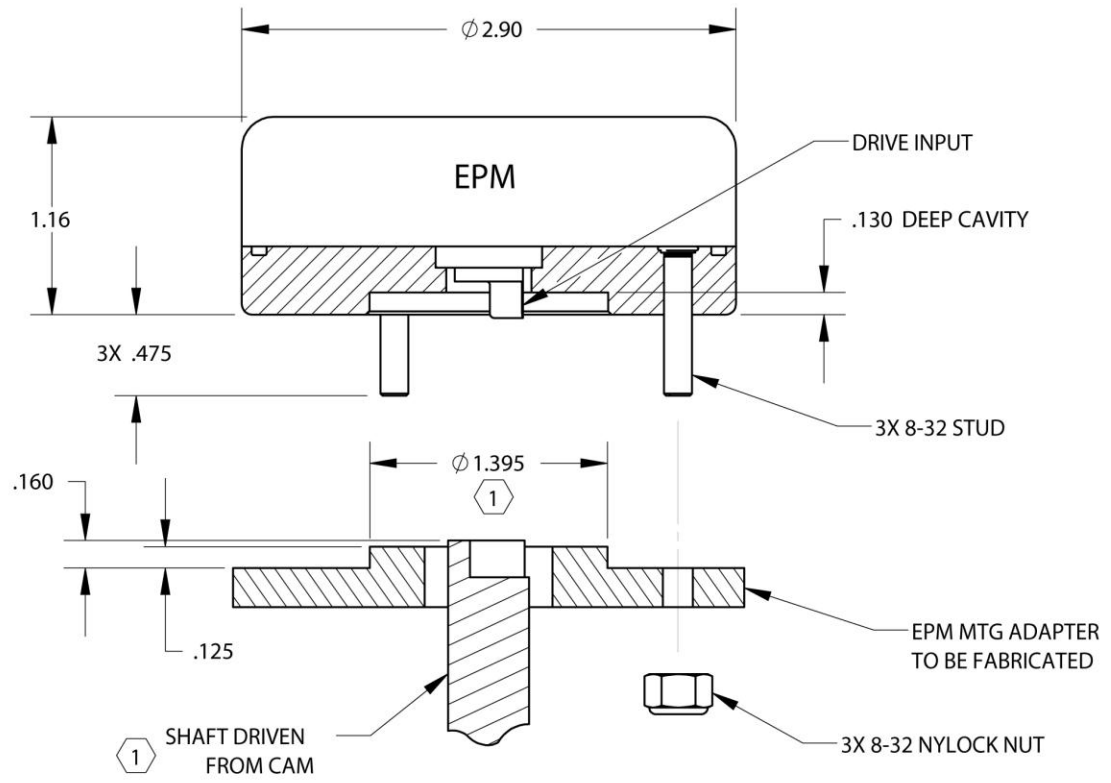


Figure 2. Bottom View of EPM



TOP VIEW OF EPM MTG ADAPTER

1 THESE FEATURES OF THE ADAPTER MUST BE CONCENTRIC WITH THE SHAFT, DRIVEN FROM THE CAM, TO WITHIN $\pm 0.002"$.

NOTES: UNLESS OTHERWISE SPECIFIED

Figure 3. EPM Mounting Adapter Dimensions

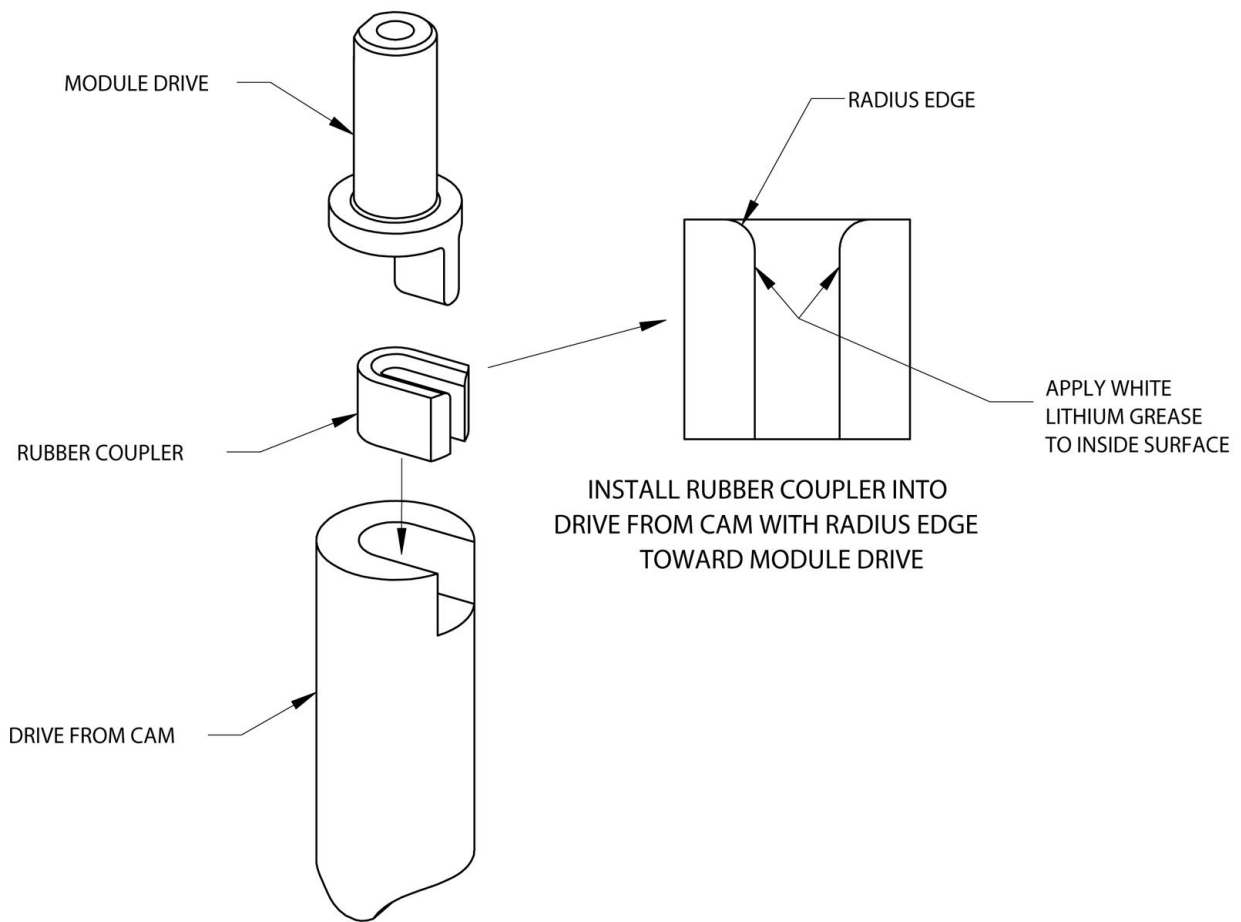
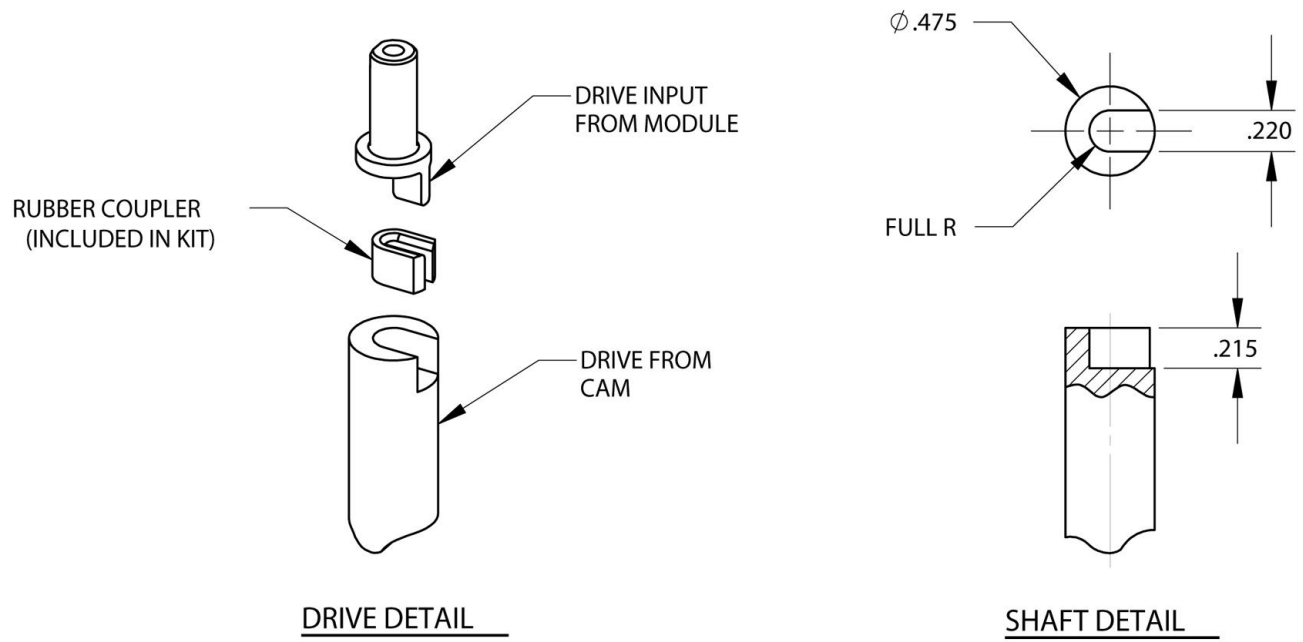


Figure 4. EPM Drive Detail & Dimensions

SPECIFICATIONS

EPM Puck

Supply Voltage	12V (nominal)
Input Channels	1 x 12V Switched Power During Cranking 1 x Ground
Output Channels	1 x CAM 1 x CRANK
CAM Output	1
Crank Output	24
Sensors	2 X Zero Speed Optical
Operating Voltage (nominal)	8-16 volts dc
Enclosure Size	2.9"Ø x 1.16"Height/1.635"Height with Studs 73.7mmØ x 29.5mm Height/41.5mm Height with Studs
Weight	0.52 lbs / 235.9 grams

WARRANTY

12 Month Limited Warranty

Advanced Engine Management, Inc. warrants to the consumer that all AEM High Performance products will be free from defects in material and workmanship for a period of twelve (12) months from date of the original purchase. Products that fail within this 12 month warranty period will be repaired or replaced at AEM's option, when determined by AEM that the product failed due to defects in material or workmanship.

This warranty is limited to the repair or replacement of the AEM part. In no event shall this warranty exceed the original purchase price of the AEM part nor shall AEM be responsible for special, incidental or consequential damages or cost incurred due to the failure of this product.

Warranty claims to AEM must be transportation prepaid and accompanied with dated proof of purchase. This warranty applies only to the original purchaser of product and is non-transferable. All implied warranties shall be limited in duration to the said 12 month warranty period. Improper use or installation, accident, abuse, unauthorized repairs or alterations voids this warranty.

An AEM Warranty Claim Form Must Accompany All Warranty Claims. Products returned to AEM with no Return Goods Authorization and or No Warranty Claim Form may be rejected and returned to sender.

AEM disclaims any liability for consequential damages due to breach of any written or implied warranty on all products manufactured by AEM. Warranty returns will only be accepted by AEM when accompanied by a valid Return Goods Authorization (RGA) number. Credit for defective products will be issued pending inspection. Product must be received by AEM within 30 days of the date RGA was issued.

AEM ELECTRONICS – ALL –

Please note that before we can issue an RGA, it is first necessary for the installer or end user to contact our AEM Electronics tech department at (800) 423-0046 or e-mail us at emstech@aempower.com to discuss the problem. Most issues can be solved over the phone. Under no circumstances should a system be returned or RGA requested before the above process transpires.

AN AEM WARRANTY CLAIM FORM MUST ACCOMPANY ALL ELECTRONICS WARRANTY CLAIMS. AEM ELECTRONIC Products returned to AEM with no RGA and or No Warranty Claim Form may be rejected and returned to sender.

A copy of the AEM Warranty Claim Form can be e-mailed or faxed by contacting (310) 484-2322 or e-mail us at emstech@aempower.com and ask for Warranty/Claims Department.

Any AEM electronics product can be returned for repair if it is out of the warranty period. There is a minimum charge of \$50.00 for inspection and diagnosis of AEM electronic parts. Parts used in the repair of AEM electronic components will be extra. AEM will provide an estimate of repairs and receive written or electronic authorization before repairs are made to the product.

Need additional help? Contact the AEM Performance Electronics tech department at 1-800-423-0046 or tech@aempower.com, or visit the AEM Performance Electronics forum at <http://forum.aempower.com/forum/>